

ComEx Control Stations

datasheet



Table of contents

03 Technical specification

05 Selection possibilities customized ComEx control station

16 Standard purchase numbers

Technical specification



ComEx is a flexible system offering standard as well as customer-specific local control and indicating units. You have the choice between three standard enclosures which can accommodate up to three different control and indicating devices. Combinations of up to three ComEx enclosures are possible.

Electrical connection can be established by using plastic or metal cable glands M20 x 1.5 and M25 x 1.5. The plastic glands require no lock nuts. Metal glands are screwed into a metal earth plate sheet inside of the enclosure. Maximum amount of cable glands: two M20. To ensure easier operation on site, each enclosure can be equipped with an individual info-label. For offshore applications special oil-resistant versions are available.

- 3 standard enclosures
- Easy to install
- Extremely flexible
- Customer-tailored solutions

Explosion protection

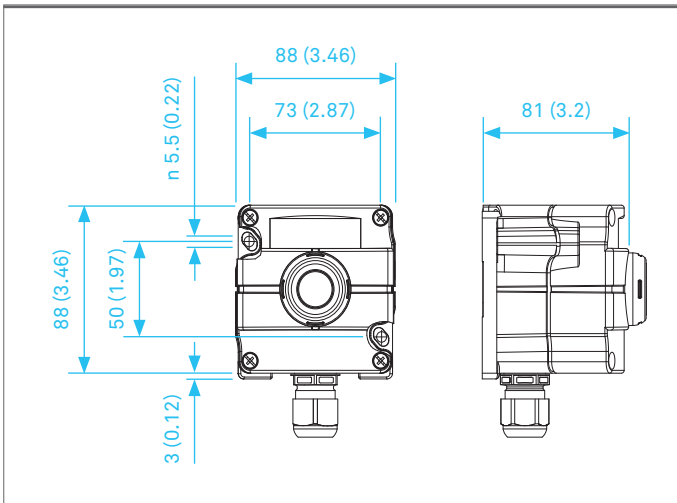
Marking ATEX	Ex II 2G Ex db eb IIC T6 Gb Ex II 2G Ex db eb ia IIC T6 Gb Ex II 2D Ex tb IIIC T80°C Db
Certification	CML 14 ATEX 3073 X
Marking IECEx	Ex db eb IIC T6 Gb Ex db eb ia IIC T6 Gb Ex tb IIIC T80°C Db
Certification	IECEx CML 14.0029X
Ambient temperature	up to $-55\text{ °C} \leq T_a \leq +60\text{ °C}$
Product printing	Standard: ATEX and IECEx marking. Other markings on request. Please specify in plain text.
	Other approvals and certificates, see bartec.com

Technical data

Connection	terminals 2.5 mm ²
PE conductor terminals	4 x 2.5 mm ²
Rated insulation voltage	max. AC 690 V
Nominal current	max. 16 A
Cable entry	M20 x 1.5 for cable Ø 7 to 13 mm M25 x 1.5 for cable Ø 12 to 17 mm M25 x 1.5 for cable Ø 14 to 18 mm
Enclosure	thermoplastic
Protection class	up to IP 66/IP 67
	Technical data subject to change without notice.

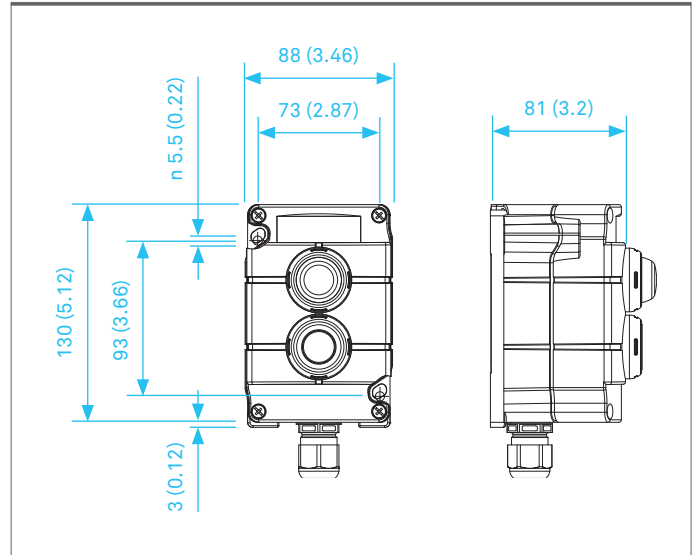
Dimensions

Control unit, single Type 07-3511-....



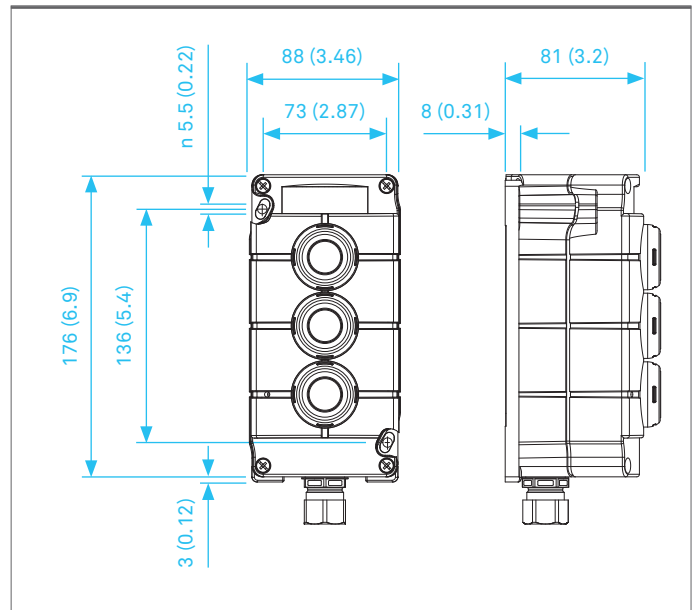
Dimensions

Control station, double Type 07-3512-....



Dimensions

Control station, triple Type 07-3513-....



Switch module with actuator (1 slot)

ACTUATOR



P7 Pushbutton



P2 Double Pushbutton



N* Emergency stop button, latching



K3 Locking mushroom pushbutton



P8 Mushroom pushbutton



P9 Mushroom pushbutton



S* Position selector switch



K* Lock (DOM)



E* Lock (RONIS), Lock 455

SWITCH MODULE



1 slot



DD

Actuator:

- P7** – Pushbutton with rubber membrane, 5 loose labels: red, green, yellow, white, black
- P2** – Double pushbutton with rubber membrane, 5 loose labels: red, green, yellow, white, black
- N5** – Emergency stop button, latching, red, without labelling
- N6** – Emergency stop button, latching, black, without labelling
- N7** – Emergency stop button, latching, printed with “EMERGENCY STOP/ARRÊT D’URGENCE”
- N8** – Emergency stop button, latching, printed with “NOT AUS/EMERGENCY STOP”
- K3** – Locking mushroom push button, pushed in without a key, unlocked with a key, DOM lock 4 A 185
- P8** – Mushroom pushbutton, black, Ø 40 mm
- P9** – Mushroom pushbutton, black, Ø 60 mm
- S9** – Position selector switch, 2 positions: 0 + I latching
- S0** – Position selector switch, 3 positions: I - 0 - II, I + II latching
- S1** – Position selector switch, 3 positions: I - 0 - II, I + II momentary - contact
- S2** – Position selector switch, 3 positions: I - 0 - II, I latching, II momentary-contact
- S3** – Position selector switch, 3 positions: I - 0 - II, I momentary-contact, II latching
- K0** – Lock (DOM), lockable in both positions, key retractable in both positions, lock 4 A 185
- K1** – Lock (DOM), lockable in depressed position, key retractable in depressed position, lock 4 A 185
- K2** – Lock (DOM), lockable in initial position, key retractable in initial position, lock 4 A 185 (tip lock)
- E0** – Lock (RONIS), Lock 455, 2 switching positions, 0 - I latching, key retractable
- E1** – Lock (RONIS), Lock 455, 2 switching positions, 0 - I momentary contact, position I key not retractable
- E2** – Lock (RONIS), Lock 455, 3 switching positions, I - 0 - II latching on both sides, key retractable
- E3** – Lock (RONIS), Lock 455, 3 switching positions, I - 0 - II momentary contact, I and II key not retractable
- E4** – Lock (RONIS), Lock 455, 3 switching positions, I - 0 - II latching, I and II key not retractable
- E5** – Lock (RONIS), Lock 455, 2 switching positions, 0 - I latching, I key not retractable

E

- 4** – Switch module: 1 NC/1 NO
 - 1** – Switch module: 2 NC
 - 2** – Switch module: 2 NO
-

Switch module with actuator (2 slots)

ACTUATOR



SWITCH MODULE



– min. 2 gang ComEx enclosure

2 slots



DDD	<p>Actuator:</p> <p>SWA9 – position selector 2 position latching</p> <p>SWA0 – position selector 3 position momentary</p> <p>SWA1 – position selector 3 position latching</p> <p>SWA2 – position selector 3 position left latching, right momentary</p> <p>SWA3 – position selector 3 position left momentary, right latching</p>
D1	<p>Printing:</p> <p>0 – 0 I</p> <p>1 – I II</p> <p>2 – I 0 II</p> <p>3 – Hand 0 AUTO</p> <p>4 – Man 0 AUTO</p>
E	<p>4 – Switch module: 1 NC/1 NO</p> <p>1 – Switch module: 2 NC</p> <p>2 – Switch module: 2 NO</p>

Lamp module with lamp actuator (1 slot)

LAMP ACTUATOR



LAMP MODULE



1 slot



DD	Lamp actuator: LR – red LG – green LY – yellow LW – white LB – blue
E	Indicator light: R – red G – green Y – yellow W – white B – blue

Illuminated button with illuminated button actuator (1 slot)

ILLUMIATED BUTTON ACTUATOR



ILLUMIATED BUTTON MODULE



1 slot



<p>DD</p>	<p>Illuminated button actuator:</p> <ul style="list-style-type: none"> TR – red TG – green TY – yellow TW – white TB – blue
<p>E</p>	<p>Illuminated button:</p> <ul style="list-style-type: none"> B – 1 NO A – 1 NC

Potentiometer with potentiometer actuator (1 slot)

POTENTIOMETER ACTUATOR



POTENTIOMETER



1 slot



D D E

DD	DO – Potentiometer actuating element, black, scale 1 - 10
E	Potentiometer: 4 – 1 kΩ 5 – 2.2 kΩ 6 – 4.7 kΩ 7 – 10 kΩ 8 – 22 kΩ

4-pole switch module with actuator (2 slots)

ACTUATOR



N* Emergency stop button, latching



P7 Pushbutton



P8 Mushroom pushbutton



P9 Mushroom pushbutton

4-POLE SWITCH MODULE



– min. 2 gang ComEx enclosure

2 slots



DD	<p>Actuator:</p> <ul style="list-style-type: none"> N5 – Emergency stop button, latching, red, without labelling N6 – Emergency stop button, latching, black, without labelling N7 – Emergency stop button, latching, printed with “EMERGENCY STOP/ARRÊT D’URGENCE” N8 – Emergency stop button, latching, printed with “NOT AUS/EMERGENCY STOP” P7 – Pushbutton with rubber membrane, 5 loose labels: red, green, yellow, white, black P8 – Mushroom pushbutton, black, Ø 40 mm P9 – Mushroom pushbutton, black, Ø 60 mm
EEEE	<p>4-pole switch module:</p> <ul style="list-style-type: none"> PV01 – 4 NC PV02 – 3 NC / 1 NO PV03 – 2 NC / 2 NO PV04 – 4 NO PV05 – 1 NC / 3 NO

4-pole control switch with position selector (2 slots)

POSITION SELECTOR



4-POLE CONTROL SWITCH



- min. 2 gang ComEx enclosure
- additional combinations on request

2 slots



DDD

Position selector:

G01 – 0 I

G03 – I 0 II

G08 – Off On

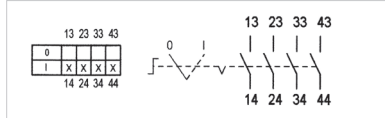
G09 – Hand 0 Auto

EEE

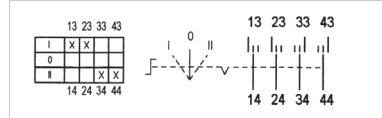
4-pole Control switch

Contact arrangement of control switch:

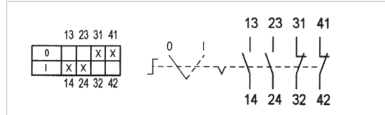
A01



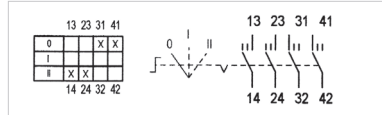
C06



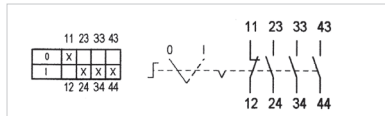
A02



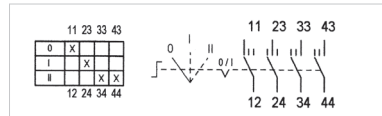
C07



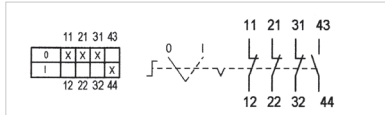
A03



E08



A04



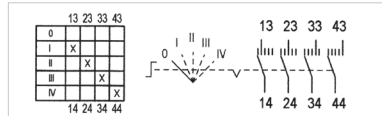
E09



H05

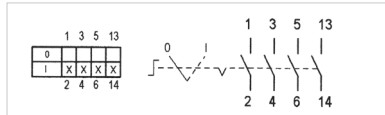


L01

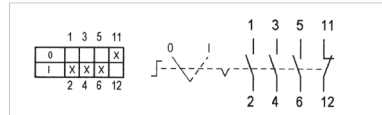


Contact arrangement of switch-isolator:

N01



N02



Terminal block with blind plug (1 slot)

BLIND PLUG



TERMINAL BLOCK



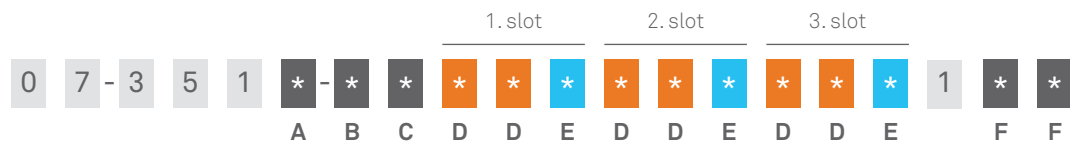
1 slot



DD **B1** – Blanking plug, black, to cover unused holes in the front panel

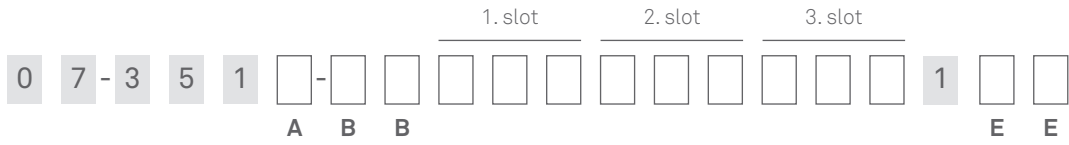
E **6** – Terminal block with 6 modular terminals 2.5 mm², Ex e II

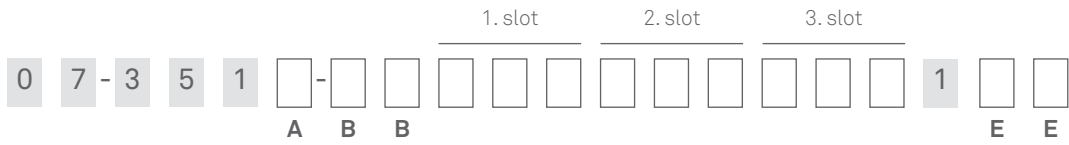
Selection Key ComEx Control Station

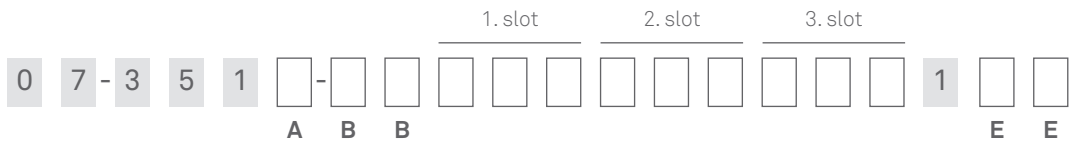


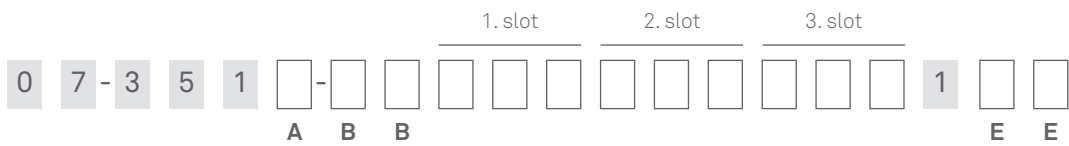
A	Enclosure type: 1 – Single Ex e 2 – Double Ex e 3 – Triple Ex e 4 – Single Ex i 5 – Double Ex i 6 – Triple Ex i
B	Cable entry at bottom: 0 – closed 1 – 1x M20, for plastic version 2 – 1x M25, for plastic version 3 – 2x M20, for plastic version 4 – 2x M20, for plastic version and 1 sealing plug 5 – 1x M20, for metal version → with earth plate 6 – 1x M25, for metal version → with earth plate 7 – 2x M20, for metal version → with earth plate 9 – special version: 1x≤M32 or 1x M25 + 1 x≤M20 or 3x≤M16 or 2x M20 + 1 x≤M16
C	Cable entry at top: 0 – closed 1 – 1x M20, for plastic version 2 – 1x M25, for plastic version 3 – 2x M20, for plastic version 4 – 2x M20, for plastic version and 1 sealing plug 5 – 1x M20, for metal version → with earth plate 6 – 1x M25, for metal version → with earth plate 7 – 2x M20, for metal version → with earth plate 9 – special version: 1x≤M32 or 1x M25 + 1 x≤M20 or 3x≤M16 or 2x M20 + 1 x≤M16
DD	Actuating element or Illuminating module
E	Switching or illuminating module or terminal block
FF	00 – without accessory 01 – protective metal shroud 02 – external earth connection 03 – shroud + external earth connection 10 – labelling by template 18 – locking device 33 – earth plate 99 – on request

Your Control Station









1-gang ComEx enclosure



Description	Order Number
1 Pushbutton, with labels red, green, yellow, white; 1 NO + 1 NC	07-3511-10P74000000100
1 Pushbutton, with labels red, green, yellow, white; 2 NC	07-3511-10P71000000100
1 Pushbutton, with labels red, green, yellow, white; 2 NO	07-3511-10P72000000100
1 Emergency stop button, marked: NOT-AUS and EMERGENCY STOP; 1 NO + 1 NC	07-3511-10N84000000100
1 Emergency stop button, marked: NOT-AUS and EMERGENCY STOP; 2 NC	07-3511-10N81000000100
1 Emergency stop button, marked: NOT-AUS and EMERGENCY STOP; 2 NO	07-3511-10N82000000100
1 Emergency stop button + Shroud; marked: NOT-AUS and EMERGENCY STOP; 1 NO + 1 NC	07-3511-10N84000000101
1 Emergency stop button + Shroud; marked: NOT-AUS and EMERGENCY STOP; 2 NC	07-3511-10N81000000101
1 Emergency stop button + Shroud; marked: NOT-AUS and EMERGENCY STOP; 2 NO	07-3511-10N82000000101
1 Selector switch; 1 NO + 1 NC, 0 - I, latching	07-3511-10S94000000100
1 Selector switch; 2 NO, I - 0 - II, latching	07-3511-10S02000000100
1 Selector switch; 1 NO + 1 NC, I - 0 - II, spring return	07-3511-10S14000000100
Indicator light; red	07-3511-10LRR000000100
Indicator light; green	07-3511-10LGG000000100
Indicator light; yellow	07-3511-10LYY000000100
Indicator light; white	07-3511-10LWW000000100
Indicator light; blue	07-3511-10LBB000000100
Illuminated pushbutton; 1 NO red	07-3511-10TRB000000100
Illuminated pushbutton; 1 NC red	07-3511-10TRA000000100
Illuminated pushbutton; 1 NO green	07-3511-10TGB000000100
Illuminated pushbutton; 1 NC green	07-3511-10TGA000000100
Illuminated pushbutton; 1 NO yellow	07-3511-10TYB000000100
Illuminated pushbutton; 1 NC yellow	07-3511-10TYA000000100
Illuminated pushbutton; 1 NO white	07-3511-10TWB000000100
Illuminated pushbutton; 1 NC white	07-3511-10TWA000000100
Illuminated pushbutton; 1 NO blue	07-3511-10TBB000000100
Illuminated pushbutton; 1 NC blue	07-3511-10TBA000000100

2-gang ComEx enclosure



Description	Order Number
2 Pushbuttons; per 1 NO + 1 NC	07-3512-10P74 P74000100
1 Indicator light (red), 1 Pushbutton (1 NO + 1 NC)	07-3512-10LRRP74000100
1 Indicator light (green), 1 Pushbutton (1 NO + 1 NC)	07-3512-10LGGP74000100
1 Indicator light (yellow), 1 Pushbutton (1 NO + 1 NC)	07-3512-10LYYP74000100
1 Indicator light (white), 1 Pushbutton (1 NO + 1 NC)	07-3512-10LWWP74000100
1 Indicator light (blue), 1 Pushbutton (1 NO + 1 NC)	07-3512-10LBBP74000100
Control switch 4-pole, selector switch, Ø 64.5 mm with protective collar, lockable; Labelling 0 - I, 2 NO + 2 NC	07-3512-10G01A02000100
Control switch 4-pole, selector switch, Ø 64.5 mm with protective collar, lockable; Labelling I - 0 - II, 4NO	07-3512-10G03A01000100
Control switch 4-pole, selector switch, Ø 64.5 mm with protective collar, lockable; Labelling I - 0 - II, 2 NO + 2 NC	07-3512-10G03A02000100
Switch isolator, selector switch, Ø 64.5 mm with protective collar, lockable; Labelling 0 - I, 4NO	07-3512-10G01N01000100

3-gang ComEx enclosure



Description

Order Number

1 Indicator light (red), 2 Pushbuttons (1 NO + 1 NC)	07-3513-10LRRP74P74100
1 Indicator light (green), 2 Pushbuttons (1 NO + 1 NC)	07-3513-10LGGP74P74100
1 Indicator light (yellow), 2 Pushbuttons (1 NO + 1 NC)	07-3513-10LYYP74P74100
1 Indicator light (white), 2 Pushbuttons (1 NO + 1 NC)	07-3513-10LWWP74P74100
1 Indicator light (blue), 2 Pushbuttons (1 NO + 1 NC)	07-3513-10LBBP74P74100
3 Pushbuttons (per 1 NO + 1 NC)	07-3513-10P74P74P74100
2 Pushbuttons (per 1 NO + 1 NC), 1 Emergency Stop (1 NO + 1 NC)	07-3513-10P74P74N84100
1 Indicator light (red), 1 Selector switch I + II latching (2 NO), 1 Emergency Stop (1 NO + 1NC)	07-3513-10LRRS02N84100
1 Indicator light (green), 1 Selector switch I + II latching (2 NO), 1 Emergency Stop (1 NO + 1NC)	07-3513-10LGGS02N84100
1 Indicator light (yellow), 1 Selector switch I + II latching (2 NO), 1 Emergency Stop (1 NO + 1NC)	07-3513-10LYYS02N84100
1 Indicator light (white), 1 Selector switch I + II latching (2 NO), 1 Emergency Stop (1 NO + 1NC)	07-3513-10LWWS02N84100
1 Indicator light (blue), 1 Selector switch I + II latching (2 NO), 1 Emergency Stop (1 NO + 1NC)	07-3513-10LBBS02N84100

1-gang ComEx enclosure (stainless steel)



- 1.4404 (V4 A)
- AISI 316L

Description

Order Number

1 Pushbutton (1 NC / 1 NO) with labels red, green, yellow, white, black	07-3132-1275/9001
1 Emergency stop button (1 NC / 1 NO), marked: NOT-AUS and EMERGENCY STOP	07-3132-1275/9002
1 double pushbutton (1 NC / 1 NO) with labels red, green, yellow, white, black	07-3132-1275/9003
1 Selector switch (1 NC / 1 NO), 0 - I latching	07-3132-1275/9004
1 Indicator light, red	07-3132-1275/9005
1 Indicator light, green	07-3132-1275/9006

2-gang ComEx enclosure (stainless steel)



- 1.4404 (V4 A)
- AISI 316L

Description

Order Number

2 Pushbuttons (each 1 NC / 1 NO), incl. standard labels
1 Indicator light red, 1 Pushbutton (1 NC / 1 NO)
1 Indicator light green, 1 Pushbutton (1 NC / 1 NO)

07-3132-1475/9001
07-3132-1475/9002
07-3132-1475/9003

3-gang ComEx enclosure (stainless steel)



- 1.4404 (V4 A)
- AISI 316L

Description

Order Number

1 Indicator light red, 2 Pushbuttons (1 NC / 1 NO), incl. standard labels	07-3132-1875/9001
1 Indicator light green, 2 Pushbuttons (1 NC / 1 NO), incl. standard labels	07-3132-1875/9002
3 Pushbuttons (1 NC / 1 NO), incl. standard labels	07-3132-1875/9003
2 Pushbuttons (1 NC / 1 NO), 1 Emergency Stop (1 NC / 1 NO)	07-3132-1875/9004

BARTEC

BARTEC GmbH
Max-Eyth-Str. 16
97980 Bad Mergentheim
Germany

Tel: +0049 7931 597 0
Fax: +0049 7931 597 119
Mail: info@bartec.com

bartec.com